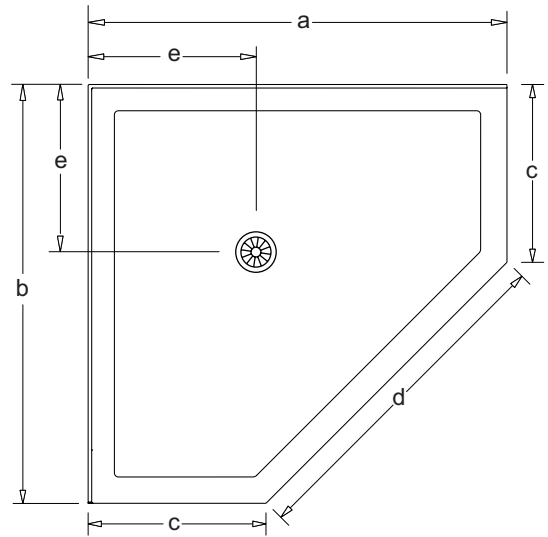


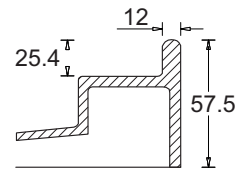
flinders

SMC shower base

Corner



This innovative new product features high compression moulded thermo set resin throughout, making Flinders SMC shower base the lightest and most durable self-supporting shower base in the Marbletrend range.



MATERIAL	Sheet Moulding Compound (SMC)
CONSTRUCTION	Self-supporting
STEP HEIGHT	32mm
TILE LIP	12mm tile lip (x2)
ALCOVE	No
COLOUR	White
WASTE	Supplied. 50mm male thread, plus white dome cover

PRODUCTS	COLOUR	CODE	ACTUAL SIZE	a	b	c	d	e
Flinders SMC Corner	White	MSBU969	900 W x 900 D x 57.5 H CENTRE OUTLET	900	900	415	686	300

NOTE: Some hair dyes and colouring shampoos may cause staining to this Shower Base that is difficult to remove, and should NOT be used in the shower with this base. Such hair colouring should be done over surfaces that have a vitrified finish, like basins, or steel baths. Staining of this base resulting from the use of colouring products will NOT BE COVERED by the PRODUCT WARRANTY.

www.marbletrend.com.au
T: 1300 717 717

DISCLAIMER

Bathroom Products Australia P/L ABN 87 079 297 617 The manufacturer/distributor reserves the right to vary specifications or delete models from their range without prior notification. Dimensions and set-outs listed are correct at the time of publication however the manufacturer/distributor takes no responsibility for printing errors. All sizes quoted are in millimetres and are nominal. Product colour shown is as near to actual product colour as production methods permit. Warranty terms apply, refer to www.marbletrend.com.au